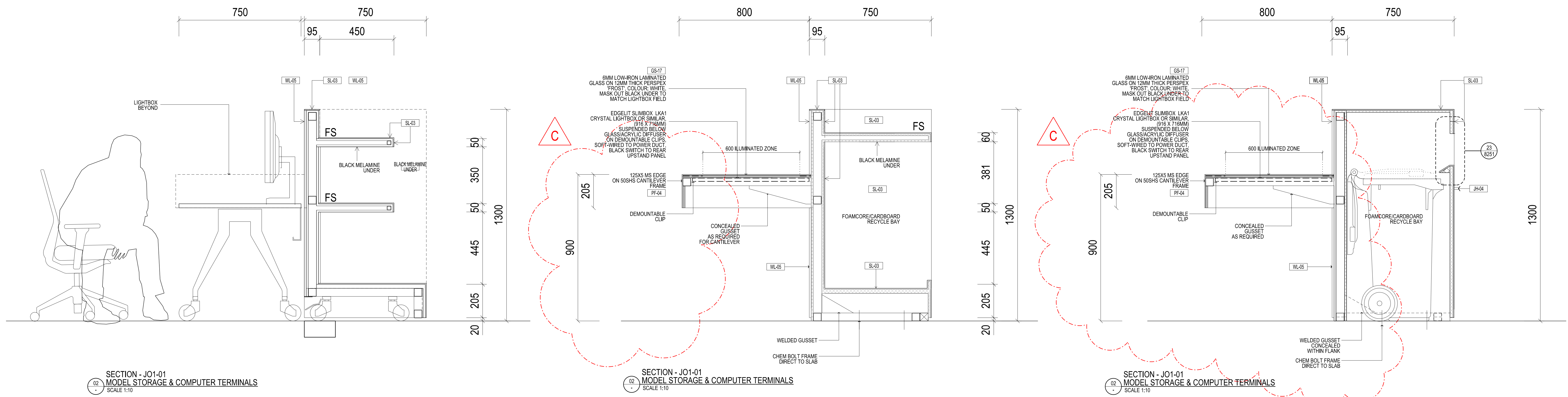


CONTRACTORS SHALL VERIFY JOB DIMENSIONS BEFORE ANY JOB COMMENCES. ALL SHOP DRAWINGS SHALL BE SUBMITTED TO THE SUPERINTENDENT AND MANUFACTURER SHALL NOT COMMENCE PRIOR TO THE RETURN OF UNANNOUNCED SHOP DRAWINGS SIGNED BY THE CONSULTANT. REVISIONS AND/OR CHANGES SHALL HAVE PRECEDENCE OVER SCALE. THIS DRAWING SHOULD BE READ IN CONJUNCTION WITH ALL RELEVANT CONTRACT SPECIFICATIONS AND DRAWING COPYRIGHT OF THIS DRAWING IS VESTED IN WARDLE.

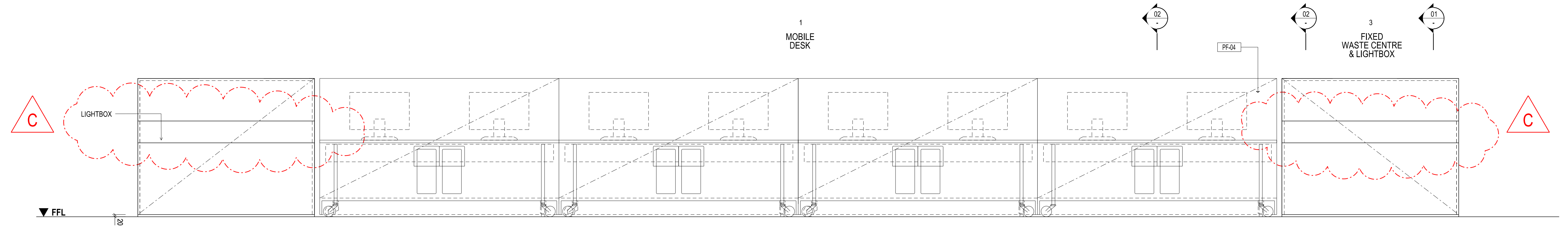
General Notes



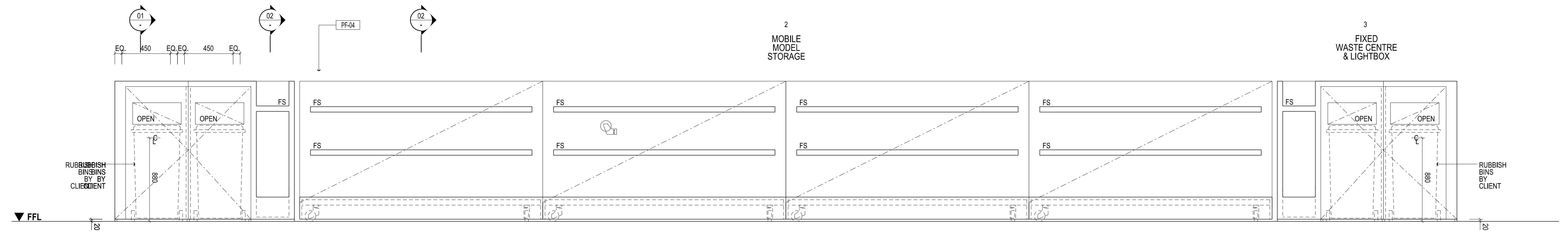
SECTION - J01-01  
MODEL STORAGE & COMPUTER TERMINALS  
SCALE 1:10

SECTION - J01-01  
MODEL STORAGE & COMPUTER TERMINALS  
SCALE 1:10

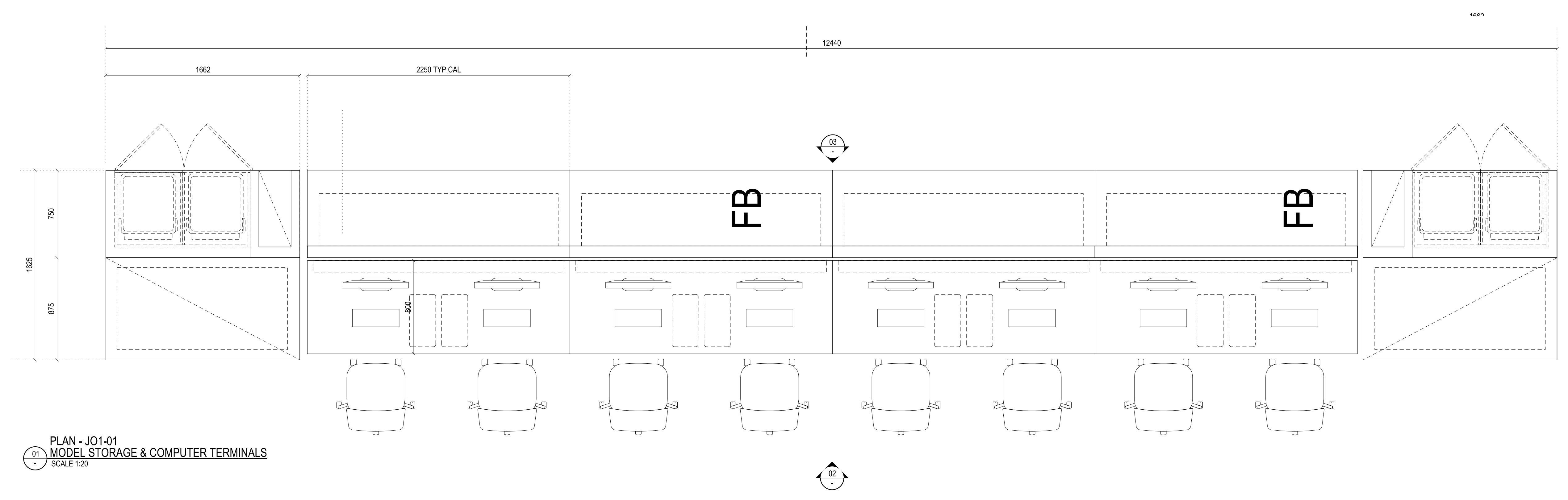
SECTION - J01-01  
MODEL STORAGE & COMPUTER TERMINALS  
SCALE 1:10



ELEVATION - J01-01  
MODEL STORAGE & COMPUTER TERMINALS  
SCALE 1:20



ELEVATION - J01-01  
MODEL STORAGE & COMPUTER TERMINALS  
SCALE 1:20



PLAN - J01-01  
MODEL STORAGE & COMPUTER TERMINALS  
SCALE 1:20

Rev	Issue	Revision Description	Amd	Date
C	SG	AMENDMENTS AS CLOUDED	-	28.02.14
B	SG	ISSUE FOR CONSTRUCTION	-	17.02.14
A	SG	ISSUE FOR CONSTRUCTION	-	19.12.13
04	SG	VALUE MANAGEMENT ISSUE	-	28.03.13
03	SG	TENDER ADDENDUM NO. 05	-	18.10.12
02	SG	TENDER ADDENDUM NO. 05 - NOT ISSUED	-	15.10.12
01	SG	TENDER ADDENDUM NO. 04	-	08.10.12



**NADAAA**  
 NADAAA Telephone +1 617 442 8232  
 1920 Washington Street No. 2 Facsimile +1 988 442 1417  
 Boston Massachusetts 02115 USA Email nad@nadaaa.com

**John Wardle Architects**  
 25 Rokeby Street, Collingwood, Victoria 3066 Australia  
 Tel: +61 3 9652 9400 www.johnwardlearchitects.com  
 © 2014 John Wardle Architects ABN 83 006 814 268

Client University of Melbourne  
Parkville Campus  
 Project Faculty of Architecture  
Building and Planning  
 Title JOINERY DETAILS

Project No.	0913	Scale	1:20 @ A0 1:40 @ A2
Drawing No.	AR8176	Revision	C
Date	Dec 2011	Drawn	JA
		Co-Ord	SG
		Check	JA

**FOR CONSTRUCTION**